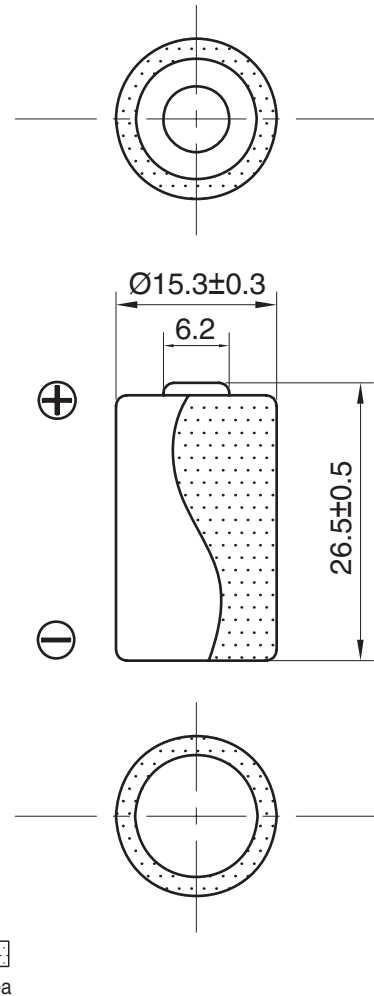


Model No.: **GPCR2**

NO MERCURY ADDED	
Description	: Lithium Battery
Chemical System	: Lithium Manganese Dioxide
Nominal Voltage	: 3.0 Volts
Nominal Capacity	: 800mAh @ 10mA to 1.8V at 23°C
Nominal Dimensions	: $\varnothing 15.3$ mm x 26.5 mm
Terminals	: Flat
Jacket	: PVC Resin Label
Shelf Life	: up to 10 years
Average Weight	: App. 10g
Application	: Photo
Operating Temperature	: -40°C to 60°C
Storage Temperature	: 10°C to 30°C and less than 60% relative humidity

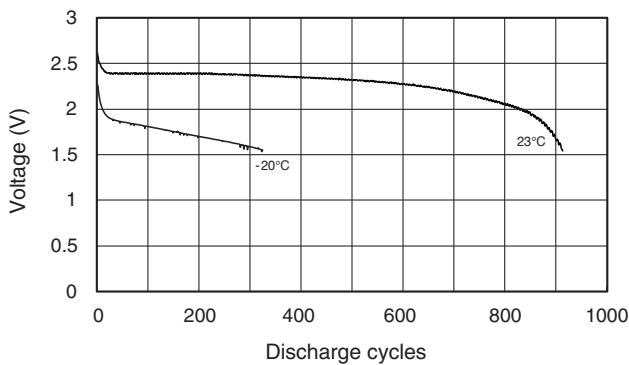
Cross References:

GP	Duracell
CR2	DLCR2

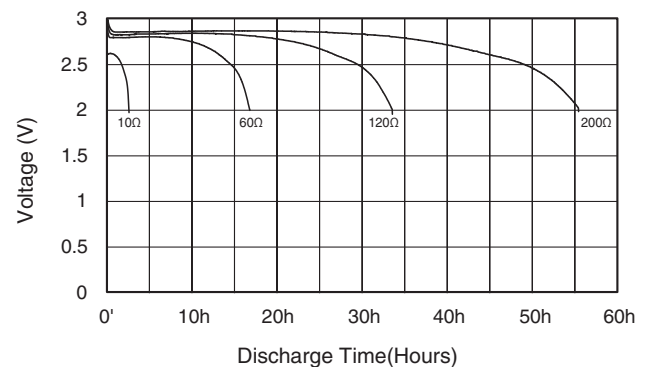


Unit : mm

Discharge Characteristics
900mA, 3 seconds on / 27 seconds off



Continuous Discharge at 23°C



The information (subject to change without prior notice) contained in this document is for reference only and should not be used as a basis for product guarantee or warranty. For applications other than those described here, please consult your nearest GP Sales and Marketing Office or Distributors.

www.gpbatteries.com

Manufacturer reserves the right to alter or amend the design, model and specification without prior notice.
Copyright © GPI International Ltd. - All rights reserved

Member
Gold Peak Group

01140114005